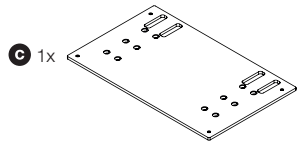
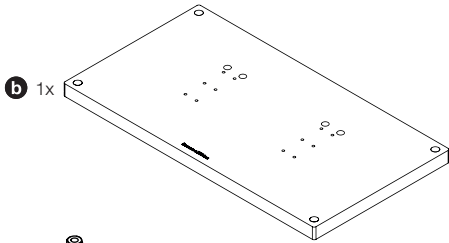
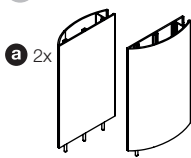
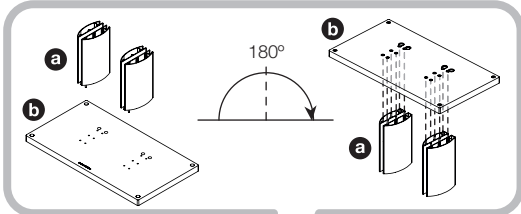


FS-HTM D3

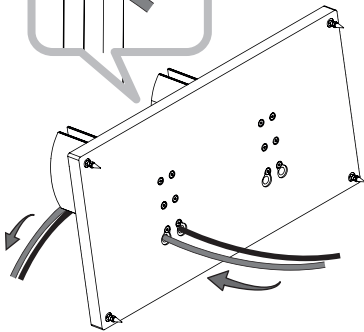
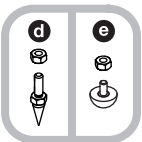
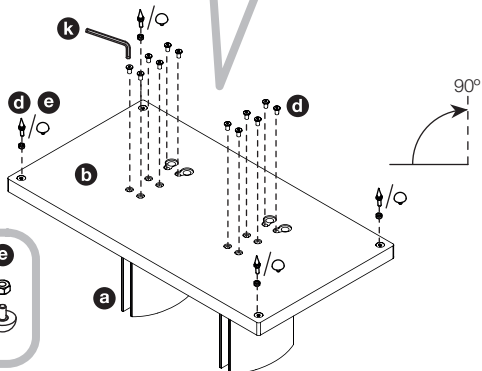
1



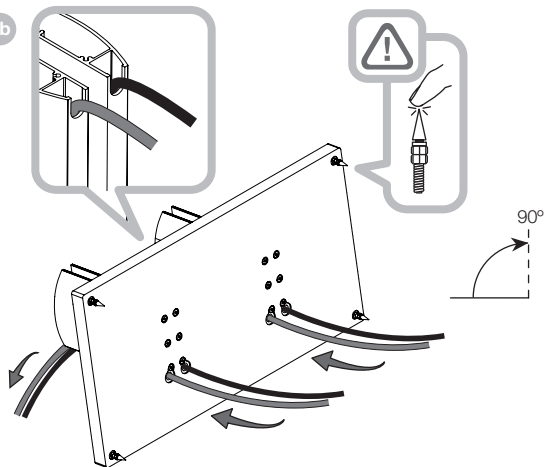
2



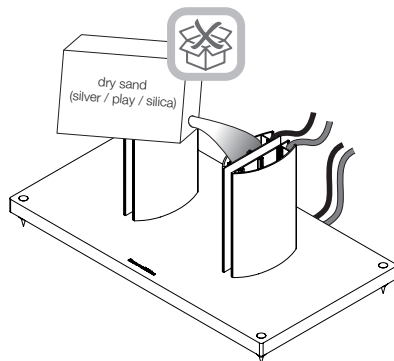
3a



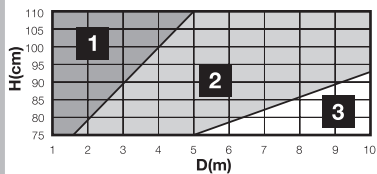
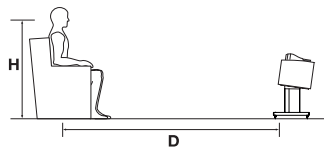
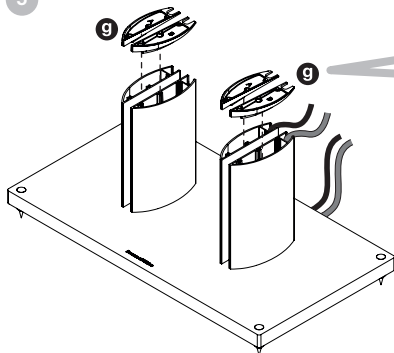
3b



4



5



1

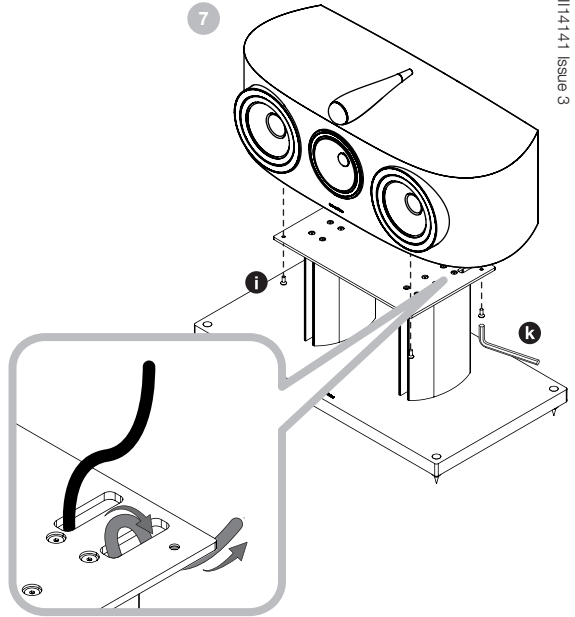
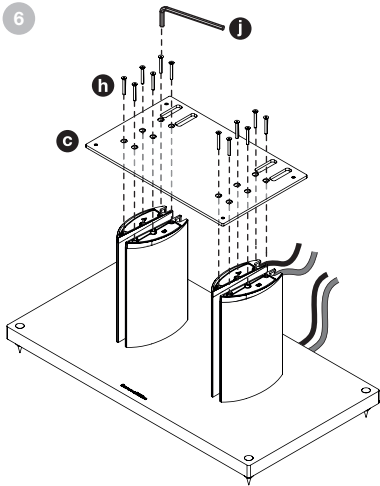
g 2x A  
2x B

2

g 1x A  
1x B

3

g 0x A  
0x B



# Bowers & Wilkins

B&W Group Ltd  
 Dale Road  
 Worthing West Sussex  
 BN11 2BH England

T +44 (0) 1903221 800  
 info@bwgroup.com  
 www.bowers-wilkins.com

B&W Group (UK Sales)  
 T +44 (0) 1903 221 500  
 E uksales@bwgroup.com

B&W Group North America  
 T +1 978 664 2870  
 E marketing@bwgroupusa.com

B&W Group Asia Ltd  
 T +852 3 472 9300  
 E info@bwgroup.hk

Copyright © B&W Group Ltd. E&OE  
 Printed in China.